

CREMONE, SURFACE AND FLUSH BOLTS





Fixed Rod Moorestown Cabinet Cremone

<i>Includes Cabinet Cremone Suited Trim</i>		STND	DISTRESSED	PVD BRASS
BOL173-60	Fixed Rod Mooresown Cabinet Cremone 60"	\$605.00	\$655.00	\$730.00
BOL173-72	Fixed Rod Mooresown Cabinet Cremone 72"	\$638.00	\$691.00	\$770.00
BOL173-84	Fixed Rod Mooresown Cabinet Cremone 84"	\$673.00	\$729.00	\$812.00

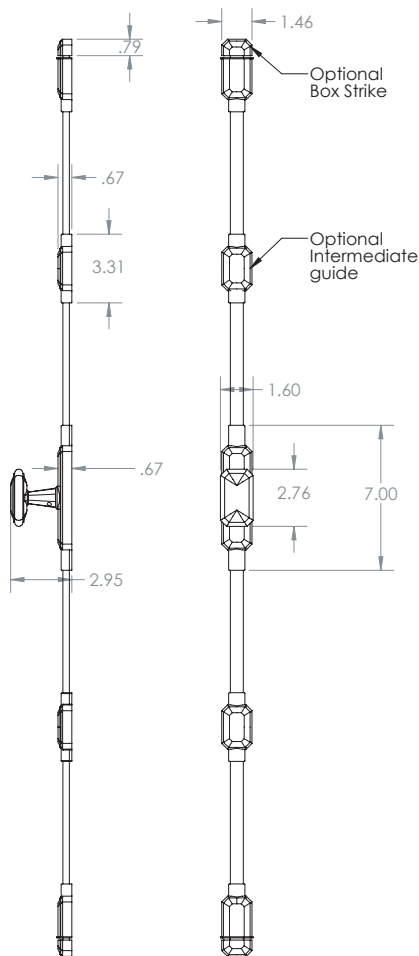
All Prices in US Dollars - Prices Subject to Change Without Notice
Please Check with Customer Service for Up to Date Pricing.

Moorestown Cabinet Cremone

<i>Includes Cabinet Cremone Suited Trim</i>		STND	DISTRESSED	PVD BRASS
BOL172-60	Mooresown Cabinet Cremone 60"	\$730.00	\$780.00	\$855.00
BOL172-72	Mooresown Cabinet Cremone 72"	\$763.00	\$816.00	\$895.00
BOL172-84	Mooresown Cabinet Cremone 84"	\$798.00	\$854.00	\$937.00

Moorestown Cabinet Cremone Accessories

		STND	DISTRESSED	PVD BRASS
ACC-194	Cabinet Cremone Box Strike	\$80.00	\$90.00	\$115.00
ACC-195	Moorestown Cabinet Cremone Mid Guide	\$120.00	\$130.00	\$155.00
2100-AS	Optional Angle Strike	\$20.56	\$22.15	\$23.72
2100-MS	Mortise Strike	\$18.20	\$19.60	\$21.00



Optional Box Strike



Optional Intermediate Guide

Moorestown Cabinet Cremone Bolt

Features:

Von Morris Moorestown Cabinet Cremone Bolts feature a solid brass case CNC milled from brass billet and guides with an internal mechanism of brass and stainless steel. The Cabinet Cremone case is very narrow, less than 1.5", for use on narrow stiles of Cabinet or Pantry doors and windows. Cremone case contains a cassette mechanism that can be handed simply by reversing the cassette. The Cremone can also be easily changed from lever operation (90° rotation) to knob operation (180°) simply by relocating the spindle. Shoot Bolts are attached to the Cremone mechanism with machine screws. **Knobs or Levers must be ordered separately.**

Guides:

End Guides have a flat spring operating on the front of the bolt to prevent rattling. The length of the Guide and placement of the spring conceals any scratches on the bolt caused by the spring. This End Guide design allows the bolts to be installed on the door and then cut to length at the job site.

Cabinet Cremone Case Size:

Length of Cassette:	7.000"
Width:	1.463"
Height to edge of case:	0.670"
Height to face of knob/lever boss:	1.024"

Standard Lengths: 5.0', 6.0' and 7.0'. Other sizes by special order.
Bolts can be cut to size at job site.

Hub Rotation: Knob - 180° rotation. Lever - 90° rotation.

Throw: Knob Operation – 1.00" Lever Operation – 0.75"

Spindle: Cabinet Cremones are supplied with a 2.0" special spindle for single sided operation

Strikes: Cremone Bolts are supplied with Mortise and Universal strikes. Angle strikes, Box strikes and Intermediate Guides are available at an additional cost.





CREMONE, SURFACE AND FLUSH BOLTS



Fixed Rod Cabinet Cremone

<i>Includes Cabinet Cremone Suited Trim</i>		STND	DISTRESSED	PVD BRASS
BOL163-60	Fixed Rod Cabinet Cremone 60"	\$505.00	\$555.00	\$630.00
BOL163-72	Fixed Rod Cabinet Cremone 72"	\$538.00	\$591.00	\$670.00
BOL163-84	Fixed Rod Cabinet Cremone 84"	\$573.00	\$629.00	\$712.00

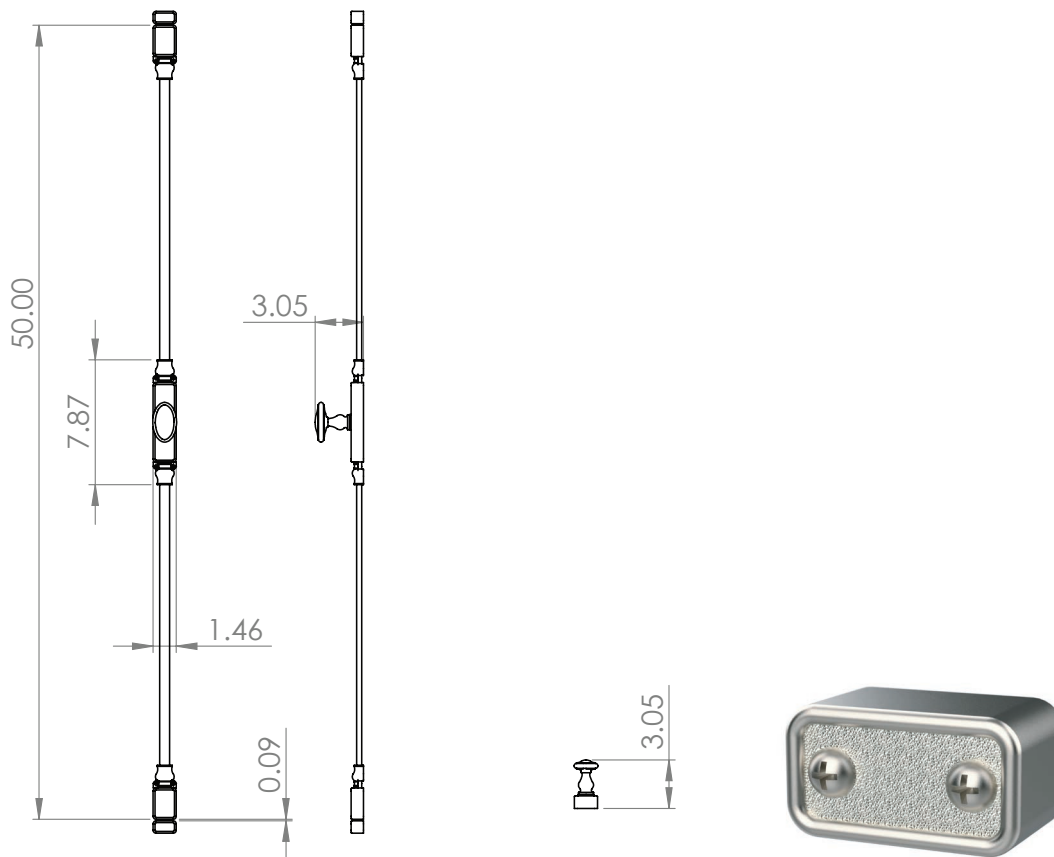
All Prices in US Dollars - Prices Subject to Change Without Notice
Please Check with Customer Service for Up to Date Pricing.

Cabinet Cremone

<i>Includes Cabinet Cremone Suited Trim</i>		STND	DISTRESSED	PVD BRASS
BOL164-60	Cabinet Cremone 60"	\$630.00	\$680.00	\$755.00
BOL164-72	Cabinet Cremone 72"	\$663.00	\$716.00	\$795.00
BOL164-84	Cabinet Cremone 84"	\$698.00	\$754.00	\$837.00

Cabinet Cremone Accessories

		STND	DISTRESSED	PVD BRASS
ACC-191	Cabinet Cremone Box Strike	\$70.00	\$80.00	\$96.00
2100-AS	Optional Angle Strike	\$20.56	\$22.15	\$23.72
2100-MS	Mortise Strike	\$18.20	\$19.60	\$21.00





Cabinet Cremone Bolt



Features:

Von Morris Cabinet Cremone Bolts feature a solid brass case CNC milled from brass billet and guides with an internal mechanism of brass and stainless steel. The Cabinet Cremone case is very narrow, less than 1.5", for use on narrow stiles of Cabinet or Pantry doors and windows. Cremone case contains a cassette mechanism that can be handed simply by reversing the cassette. The Cremone can also be easily changed from lever operation (90° rotation) to knob operation (180°) simply by relocating the spindle. Shoot Bolts are attached to the Cremone mechanism with machine screws. **Knobs or Levers must be ordered separately.**

Guides:

End Guides have a flat spring operating on the front of the bolt to prevent rattling. The length of the Guide and placement of the spring conceals any scratches on the bolt caused by the spring. This End Guide design allows the bolts to be installed on the door and then cut to length at the job site.

Cabinet Cremone Case Size:

Length of Cassette:	7.875"
Width:	1.463"
Height to edge of case:	0.787"
Height to face of knob/lever boss:	1.024"

Standard Lengths: 5.0', 6.0' and 7.0'. Other sizes by special order.
Bolts can be cut to size at job site.

Hub Rotation: Knob - 180° rotation. Lever - 90° rotation.

Throw: Knob Operation – 1.00" Lever Operation – 0.75"

Spindle: Cabinet Cremones are supplied with a 2.0" special spindle for single sided operation

Strikes: Cremone Bolts are supplied with Mortise and Universal strikes. Angle strikes and Box strikes are available at an additional cost.



Weave Privacy/Locking Cremone Bolt

	<i>Includes Weave Suited Trim</i>	Standard	Distressed	ETERNA
BOL119-84	Privacy Cremone Bolt for 7'0 Door	2,696.34	2,940.04	3,254.79
BOL119-96	Privacy Cremone Bolt for 8'0 Door	2,972.10	3,237.60	3,585.84
BOL119-120	Privacy Cremone Bolt for 10'0 Door	3,523.36	3,832.95	4,247.29

All Prices in US Dollars - Prices Subject to Change Without Notice
Please Check with Customer Service for Up to Date Pricing.

Weave Dummy Privacy Cremone Bolt

	<i>Includes Weave Suited Trim</i>	Standard	Distressed	ETERNA
BOL121-84	Dummy Privacy Cremone Bolt for 7'0 Door	1,334.98	1,464.30	1,629.22
BOL121-96	Dummy Privacy Cremone Bolt for 8'0 Door	1,679.49	1,836.62	2,042.66
BOL121-120	Dummy Privacy Cremone Bolt for 10'0 Door	2,368.60	2,580.59	2,869.40

Supplied Standard



2100-US
Universal Strike



9941-045
Double Sided
Special Spindle



9150
Rim Cylinder

Optional Accessories



2100-AS
Angle Strike



ACC170
Weave Box Strike

Cremone Bolt Accessories

		Standard	Distressed	ETERNA
2100-AS	Optional Angle Strike	20.56	22.15	23.72
ACC170	Weave Box Strike	70.56	76.50	84.67
9150	Rim Cylinder	58.80	63.50	70.56
		Mill Finish		
9931-020	Single Sided 2.0" Spindle	28.00		
9941-045	Double Sided 4.5" Spindle	72.80		
2700-06A	Double Sided 6.0" Spindle for Thick Doors 3" Max Thickness	72.80		

Weave Locking Privacy Cremone Bolt



Features:

Von Morris Weave Cremone Bolts feature a solid brass case CNC milled from brass billet and guides with an internal mechanism of brass and stainless steel. The Locking Cremone case is very narrow, less than 1.5", for use on narrow stiles of French doors and windows. Cremone Bolt locks from the exterior with a rim cylinder and inside with a turnpiece. Cremone case contains a cassette mechanism that can be handed simply by reversing the cassette. The Cremone can also be easily changed from lever operation (90° rotation) to knob operation (180°) simply by relocating the spindle. Shoot Bolts are attached to the Cremone mechanism with machine screws. **Price Includes Weave Turnpiece and Cylinder Collar along with either a pair or Weave Levers or Knobs.**

Guides:

End Guides have a flat spring operating on the front of the bolt to prevent rattling. The length of the Guide and placement of the spring conceals any scratches on the bolt caused by the spring. This End Guide design allows the bolts to be installed on the door and then cut to length at the job site.

Locking Cremone Case Size:

Length:	10.5"
Width:	1.5"
Height to edge of case:	0.787"
Height to face of knob/lever boss:	1.024"
Spindle hub to turnpiece spacing:	2.250"
Spindle hub to cylinder spacing:	2.467"

Spindle Height: Standard Spindle height is 42".

Standard Lengths: 7', 8' and 10'. Other sizes by special order.
Bolts can be cut to size at job site.

Hub Rotation: Knob - 180° rotation. Lever - 90° rotation.

Throw: Knob Operation – 1.00" Lever Operation – 0.75"

Spindle: Cremones are supplied with a special spindle for double sided operation

Bolts:
Bottom bolt: 0.625" wide x 40.01"
Top bolt: 0.625" wide x 40.03" for a 7.0' Door
Top bolt: 0.625" wide x 52.92" for a 8.0' Door
Top bolt: 0.625" wide x 76.92" for a 10.0' Door

Strikes: Cremone Bolts are supplied with Mortise and Universal strikes. Angle strikes and Box strikes are available at an additional cost.



Weave Standard/Passage Cremone Bolt

	<i>Includes Weave Suited Trim</i>	Standard	Distressed	ETERNA
BOL120-84	Weave Standard/Passage Cremone Bolt for 7'0 Door	1,075.82	1,166.83	1,299.20
BOL120-96	Weave Standard/Passage Cremone Bolt for 8'0 Door	1,351.50	1,476.32	1,640.09
BOL120-120	Weave Standard/Passage Cremone Bolt for 10'0 Door	1,902.68	2,071.67	2,301.63

All Prices in US Dollars - Prices Subject to Change Without Notice
Please Check with Customer Service for Up to Date Pricing.

Supplied Standard



2100-US
Universal Strike



9931-020
Single Spindle

Optional Accessories



2100-AS
Angle Strike



ACC170
Weave Box Strike

Cremone Bolt Accessories

		Standard	Distressed	ETERNA
2100-AS	Optional Angle Strike	20.56	22.15	23.72
ACC170	Weave Box Strike	70.56	76.20	84.67

		Mill Finish
9931-020	Single Sided 2.0" Spindle	28.00
9941-045	Double Sided 4.5" Spindle	72.80
2700-06A	Double Sided 6.0" Spindle for Thick Doors 3" Max Thickness	72.80

Weave Standard/Passage Cremone Bolt



Features:

Von Morris Weave Cremone Bolts feature a solid brass case CNC milled from brass billet and guides with an internal mechanism of brass and stainless steel. The Standard Cremone case is very narrow, less than 1.5", for use on narrow stiles of French doors and windows. Cremone case contains a cassette mechanism that can be handed simply by reversing the cassette. The Cremone can also be easily changed from lever operation (90° rotation) to knob operation (180°) simply by relocating the spindle. Shoot Bolts are attached to the Cremone mechanism with machine screws. **Price Includes a half pair of Weave Levers or Knobs.**

Guides:

End Guides have a flat spring operating on the front of the bolt to prevent rattling. The length of the Guide and placement of the spring conceals any scratches on the bolt caused by the spring. This End Guide design allows the bolts to be installed on the door and then cut to length at the job site.

Standard/Passage Cremone Case Size:

Length:	7.75"
Width:	1.5"
Height to edge of case:	0.787"
Height to face of knob/lever boss:	1.024"

Spindle Height: Standard Spindle height is 42".

Standard Lengths: 7', 8' and 10'. Other sizes by special order.
Bolts can be cut to size at job site.

Hub Rotation: Knob - 180° rotation. Lever - 90° rotation.

Throw: Knob Operation – 1.00" Lever Operation – 0.75"

Spindle: Cremones are supplied with a special spindle for double sided operation

Bolts:
Bottom bolt: 0.625" wide x 40.01"
Top bolt: 0.625" wide x 40.03" for a 7.0' Door
Top bolt: 0.625" wide x 52.92" for a 8.0' Door
Top bolt: 0.625" wide x 76.92" for a 10.0' Door

Strikes: Cremone Bolts are supplied with Mortise and Universal strikes. Angle strikes and Box strikes are available at an additional cost.



CREMONE, SURFACE AND FLUSH BOLTS



Privacy/Locking Cremone Bolt

	<i>Trim Sold Separately</i>	Standard	Distressed	ETERNA
2700/84	Privacy Cremone Bolt for 7'0 Door	1,835.91	1,982.91	2,203.24
2700/96	Privacy Cremone Bolt for 8'0 Door	2,056.53	2,221.05	2,467.84
2700/120	Privacy Cremone Bolt for 10'0 Door	2,497.53	2,697.33	2,997.04

All Prices in US Dollars - Prices Subject to Change Without Notice
Please Check with Customer Service for Up to Date Pricing.

Dummy Privacy Cremone Bolt

	<i>Trim Sold Separately</i>	Standard	Distressed	ETERNA
2702/84	Dummy Privacy Cremone Bolt for 7'0 Door	872.82	942.64	890.63
2702/96	Dummy Privacy Cremone Bolt for 8'0 Door	1,148.43	1,240.32	1,171.88
2702/120	Dummy Privacy Cremone Bolt for 10'0 Door	1,699.68	1,835.67	1,734.38
		742.19		

Supplied Standard



2100-US
Universal Strike



9941-045
Double Sided
Special Spindle



9150
Rim Cylinder



2100-AS
Angle Strike



2700-BS
Box Strike

Optional Accessories

Cremone Bolt Accessories

		Standard	Distressed	ETERNA
2100-AS	Optional Angle Strike	20.56	22.15	23.72
2700-BS	Box Strike	58.80	63.50	70.56
9150	Rim Cylinder	58.80	63.50	70.56
		Mill Finish		
9931-020	Single Sided 2.0" Spindle	28.00		
9941-045	Double Sided 4.5" Spindle	72.80		
2700-06A	Double Sided 6.0" Spindle for Thick Doors 3" Max Thickness	72.80		

Additional Non-Suited Lever Options. Suited Levers also Available



8821
Small Turned Lever, Small Rose
Also Available in a Large Lever 8821C



8824
Wave, Small Rose



8826
Curved, Small Rose



8828
Leaf, Small Rose

Additional Non-Suited Knob Options. Suited Knobs also Available



8800-175
Small Mushroom
Knob, Small Rose



8800-225
Large Mushroom
Knob, Small Rose



8802-225
Large Colonial
Knob, Small Rose



8802-225
Large Colonial
Knob, Large Rose



8801-250
Large Oval
Knob, Large Rose



8801-250
Large Oval Knob,
Small Rose



8801-262
Small Oval Knob,
Small Rose

Locking Privacy Cremone Bolt



Features:

Von Morris Cremone Bolts feature forged, solid brass case and guides with an internal mechanism of brass and stainless steel. The Locking Cremone case is very narrow, less than 1.5", for use on narrow stiles of French doors and windows. Cremone Bolt locks from the exterior with a rim cylinder and inside with a turnpiece. Cremone case contains a cassette mechanism that can be handed simply by reversing the cassette. The Cremone can also be easily changed from lever operation (90° rotation) to knob operation (180°) simply by relocating the spindle. Shoot Bolts are attached to the Cremone mechanism with machine screws. These machine screws are covered with interchangeable Frogs. Cremone Bolt design is very clean, featuring concealed Shoot Bolt guides. Various Frogs are available to allow you to suite the Cremone Bolt. Cremone Bolts can be used with any Von Morris Knob or Lever. Any appropriate Von Morris trim can be used on the outside. **Knobs, levers and trim must be ordered separately.**

Guides and Frogs:

End Guides have a flat spring operating on the front of the bolt to prevent rattling. The length of the Guide and placement of the spring conceals any scratches on the bolt caused by the spring. This End Guide design allows the bolts to be installed on the door and then cut to length at the job site. Two Frogs are attached to the ends of the Cremone case with #8 x 1.0" screws and hide the attachment of the Shoot Bolts. One Frog is attached to the end of each End Guide.

Locking Cremone Case Size:

Length from end of Frog to end of Frog:	10.04"
Width:	1.463"
Height to edge of case:	0.787"
Height to face of knob/lever boss:	1.024"
Spindle hub to turnpiece spacing:	2.250"
Spindle hub to cylinder spacing:	2.467"

Spindle Height: Standard Spindle height is 42".

Standard Lengths: 7', 8' and 10'. Other sizes by special order.
Bolts can be cut to size at job site.

Hub Rotation: Knob - 180° rotation. Lever - 90° rotation.

Throw: Knob Operation – 1.00" Lever Operation – 0.75"

Spindle: Cremones are supplied with a special spindle for double sided operation

Bolts:
Bottom bolt: 0.625" wide x 40.01"
Top bolt: 0.625" wide x 40.03" for a 7.0' Door
Top bolt: 0.625" wide x 52.92" for a 8.0' Door
Top bolt: 0.625" wide x 76.92" for a 10.0' Door

Strikes: Cremone Bolts are supplied with Mortise and Universal strikes. Angle strikes and Box strikes are available at an additional cost.

2700 Locking Privacy Cremone Bolt
with 8821 Turned Lever
Knobs/Levers/Turnpiece Sold Separately



All Prices in US Dollars - Prices Subject to Change Without Notice
Please Check with Von Morris Customer Service for Up to Date Pricing.

Standard/Passage Cremone Bolt

<i>Trim Sold Separately</i>		Standard	Distressed	ETERNA
2701/84	Standard Cremone Bolt for 7'0 Door	698.25	754.11	837.90
2701/96	Standard Cremone Bolt for 8'0 Door	918.75	992.25	1,102.50
2701/120	Standard Cremone Bolt for 10'0 Door	1,359.75	1,468.53	1,631.70

Supplied Standard



2100-US
Universal Strike



9931-020
Single Spindle

Optional Accessories



2100-AS
Angle Strike



2700-BS
Box Strike

Cremone Bolt Accessories

		Standard	Distressed	ETERNA
2100-AS	Optional Angle Strike	20.56	22.15	23.72
2700-BS	Box Strike	58.80	63.50	70.56
9150	Rim Cylinder	58.80	63.50	70.56
		Mill Finish		
9931-020	Single Sided 2.0" Spindle	28.00		
9941-045	Double Sided 4.5" Spindle	72.80		
2700-06A	Double Sided 6.0" Spindle for Thick Doors 3" Max Thickness	72.80		

Additional Non-Suited Lever Options. Suited Levers also Available



8821
Small Turned Lever, Small Rose
Also Available in a Large Lever 8821C



8824
Wave, Small Rose



8826
Curved, Small Rose



8828
Leaf, Small Rose

Additional Non-Suited Knob Options. Suited Knobs also Available



8800-175
Small Mushroom Knob, Small Rose



8800-225
Large Mushroom Knob, Small Rose



8802-225
Large Colonial Knob, Small Rose



8802-225
Large Colonial Knob, Large Rose



8801-250
Large Oval Knob, Large Rose



8801-250
Large Oval Knob, Small Rose



8801-262
Small Oval Knob, Small Rose

Standard Cremone Bolt



Features:

Von Morris Cremone Bolts feature forged, solid brass case and guides with an internal mechanism of brass and stainless steel. The Locking Cremone case is very narrow, less than 1.5", for use on narrow stiles of French doors and windows. Cremone case contains a cassette mechanism that can be handed simply by reversing the cassette. The Cremone can also be easily changed from lever operation (90° rotation) to knob operation (180°) simply by relocating the spindle. Shoot Bolts are attached to the Cremone mechanism with machine screws. These machine screws are covered with interchangeable Frogs. Cremone Bolt design is very clean, featuring concealed Shoot Bolt guides. Various Frogs are available to allow you to suite the Cremone Bolt. Cremone Bolts can be used with any Von Morris Knob or Lever. Any appropriate Von Morris trim can be used on the outside. **Knobs, levers and trim must be ordered separately.**

Guides and Frogs:

End Guides have a flat spring operating on the front of the bolt to prevent rattling. The length of the Guide and placement of the spring conceals any scratches on the bolt caused by the spring. This End Guide design allows the bolts to be installed on the door and then cut to length at the job site. Two Frogs are attached to the ends of the Cremone case with #8 x 1.0" screws and hide the attachment of the Shoot Bolts. One Frog is attached to the end of each End Guide.

Standard Cremone Case Size:

Length from end of Frog to end of Frog: 7.965"
 Width: 1.463"
 Height to edge of case: 0.787"
 Height to face of knob/lever boss: 1.024"

Spindle Height: Standard Spindle height is 42".

Standard Lengths: 7', 8' and 10'. Other sizes by special order.
 Bolts can be cut to size at job site.

Hub Rotation: Knob - 180° rotation. Lever - 90° rotation.

Throw: Knob Operation – 1.00" Lever Operation – 0.75"

Spindle: Cremones are supplied with a 2" special Spindle for single sided operation

Bolts: Bottom bolt: 0.625" wide x 40.01"
 Top bolt: 0.625" wide x 40.03" for a 7.0' Door
 Top bolt: 0.625" wide x 52.92" for a 8.0' Door
 Top bolt: 0.625" wide x 76.92" for a 10.0' Door

Strikes: Cremone Bolts are supplied with Mortise and Universal strikes. Angle strikes and Box strikes are available at an additional cost.

2701 Standard Cremone Bolt
 with 8828 Leaf Lever
 Knobs/Levers/Turnpiece Sold Separately



Solid Brass Traditional Knob and Guide Surface Bolt

		Standard	Distressed	ETERNA
2108	8.0" Traditional Knob and Guide Surface Bolt	91.19	98.21	105.23
2112	12.0" Traditional Knob and Guide Surface Bolt	104.55	112.60	120.64
2118	18.0" Traditional Knob and Guide Surface Bolt	124.57	134.14	143.74
2124	24.0" Traditional Knob and Guide Surface Bolt	153.48	165.29	177.11

All Prices in US Dollars - Prices Subject to Change Without Notice
Please Check with Customer Service for Up to Date Pricing.



Offset Solid Brass Traditional Knob and Guide Surface Bolt

		Standard	Distressed	ETERNA
2108/OS	8.0" Traditional Knob and Guide Surface Bolt	104.87	112.95	121.03
2112/OS	12.0" Traditional Knob and Guide Surface Bolt	120.23	129.50	138.74
2118/OS	18.0" Traditional Knob and Guide Surface Bolt	143.25	154.26	165.29
2124/OS	24.0" Traditional Knob and Guide Surface Bolt	176.50	190.10	202.97

Supplied Standard



2100-US Universal Strike 2100-MS Mortise Strike

Optional Accessories

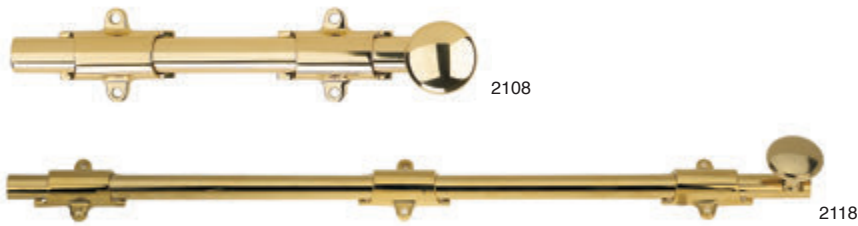


2100-AS Angle Strike

Surface Bolt Accessories

		Standard	Distressed	ETERNA
2100-AS	Optional Angle Strike	24.26	26.14	28.00
2100-US	Universal Strike for use with 21xx 22xx and 27xx	18.20	19.60	21.00
2100-MS	Mortise Strike for use with 21xx and 27xx	18.20	19.60	21.00

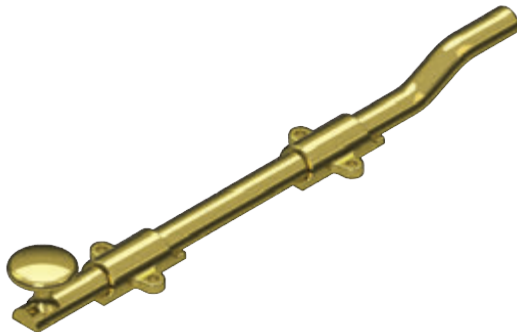
Solid Brass Traditional Knob and Guide Surface Bolt



- Solid Brass Bolt with Forged Brass Knob and Guide. Bolt is held firmly against the back of the guide by coil springs and detent balls to prevent scratching and rattling.
- Size: Width of Bolt: 0.625" - Width of Guide: 1.625".
- Diameter of Knob: 1.250".
- One per box with Universal and Mortise Strikes and Screws. Angle Strike available for additional price.
- Custom sizes and offsets available on special order. Call for prices.

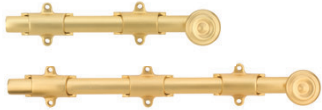
Part Number	Length of Bolt	Number of Guides	Packing per Box	Weight per Box
2108	8"	2	1	0.85 lbs
2112	12"	3	1	1.15 lbs
2118	18"	3	1	1.50 lbs
2124	24"	3	1	1.80 lbs

Offset Solid Brass Traditional Knob and Guide Surface Bolt



- Solid Brass Bolt with Forged Brass Knob and Guide. Bolt is held firmly against the back of the guide by coil springs and detent balls to prevent scratching and rattling.
- Size: Width of Bolt: 0.625" - Width of Guide: 1.625".
- Diameter of Knob: 1.375".
- One per box with Universal and Mortise Strikes and Screws. Angle Strike available for additional price.
- Custom sizes and offsets available on special order. Call for prices.

Part Number	Length of Bolt	Number of Guides	Packing per Box	Weight per Box
2108/OS	8"	2	1	0.85 lbs
2112/OS	12"	3	1	1.15 lbs
2118/OS	18"	3	1	1.50 lbs
2124/OS	24"	3	1	1.80 lbs



Solid Brass Colonial Knob with Traditional Guide Surface Bolt

		Standard	Distressed	ETERNA
2108CK	8.0" Colonial Knob with Traditional Guide Surface Bolt	109.00	117.39	125.78
2112CK	12.0" Colonial Knob with Traditional Guide Surface Bolt	117.89	126.96	136.04
2118CK	18.0" Colonial Knob with Traditional Guide Surface Bolt	137.92	148.53	159.13
2124CK	24.0" Colonial Knob with Traditional Guide Surface Bolt	166.84	179.67	192.50

All Prices in US Dollars - Prices Subject to Change Without Notice
Please Check with Customer Service for Up to Date Pricing.



Offset Colonial Knob with Traditional Guide Surface Bolt

		Standard	Distressed	ETERNA
2108CK/OS	8.0" Offset Colonial Knob with Trad Guide Surface Bolt	125.36	134.99	144.63
2112CK/OS	12.0" Offset Colonial Knob with Trad Guide Surface Bolt	135.58	146.01	156.43
2118CK/OS	18.0" Offset Colonial Knob with Trad Guide Surface Bolt	158.60	170.82	183.00
2124CK/OS	24.0" Offset Colonial Knob with Trad Guide Surface Bolt	191.87	207.35	221.38

Supplied Standard



2100-US Universal Strike 2100-MS Mortise Strike

Optional Accessories

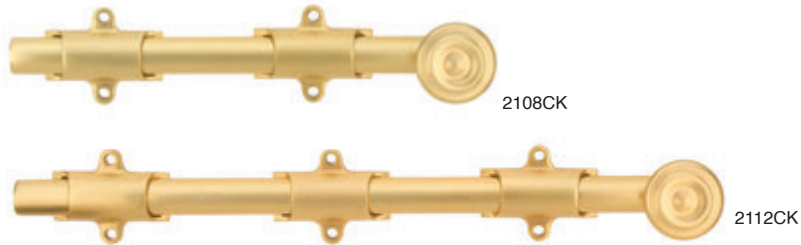


2100-AS Angle Strike

Surface Bolt Accessories

		Standard	Distressed	ETERNA
2100-AS	Optional Angle Strike	24.26	26.14	28.00
2100-US	Universal Strike for use with 21xx 22xx and 27xx	18.20	19.60	21.00
2100-MS	Mortise Strike for use with 21xx and 27xx	18.20	19.60	21.00

Solid Brass Colonial Knob with Traditional Guide Surface Bolt



- Solid Brass Bolt with Forged Brass Knob and Guide. Bolt is held firmly against the back of the guide by coil springs and detent balls to prevent scratching and rattling.
- Size: Width of Bolt: 0.625" - Width of Guide: 1.625".
- Diameter of Knob: 1.375".
- One per box with Universal and Mortise Strikes and Screws. Angle Strike available for additional price.
- Custom sizes and offsets available on special order. Call for prices.

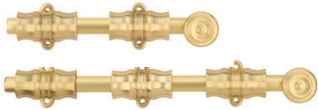
Part Number	Length of Bolt	Number of Guides	Packing per Box	Weight per Box
2108CK	8"	2	1	0.85 lbs
2112CK	12"	3	1	1.15 lbs
2118CK	18"	3	1	1.50 lbs
2124CK	24"	3	1	1.80 lbs

Offset Solid Brass Colonial Knob with Traditional Guide Surface Bolt



- Solid Brass Bolt with Forged Brass Knob and Guide. Bolt is held firmly against the back of the guide by coil springs and detent balls to prevent scratching and rattling.
- Size: Width of Bolt: 0.625" - Width of Guide: 1.625".
- Diameter of Knob: 1.375".
- One per box with Universal and Mortise Strikes and Screws. Angle Strike available for additional price.
- Custom sizes and offsets available on special order. Call for prices.

Part Number	Length of Bolt	Number of Guides	Packing per Box	Weight per Box
2108CK/OS	8"	2	1	0.85 lbs
2112CK/OS	12"	3	1	1.15 lbs
2118CK/OS	18"	3	1	1.50 lbs
2124CK/OS	24"	3	1	1.80 lbs



Solid Brass Colonial Knob and Guide Surface Bolt

		Standard	Distressed	ETERNA
2108C	8.0" Colonial Knob and Guide Surface Bolt	114.99	123.83	132.69
2112C	12.0" Colonial Knob and Guide Surface Bolt	141.39	152.26	163.14
2118C	18.0" Colonial Knob and Guide Surface Bolt	158.34	170.53	182.71
2124C	24.0" Colonial Knob and Guide Surface Bolt	182.85	196.92	210.99

All Prices in US Dollars - Prices Subject to Change Without Notice
Please Check with Customer Service for Up to Date Pricing.



Offset Solid Brass Colonial Knob and Guide Surface Bolt

		Standard	Distressed	ETERNA
2108C/OS	8.0" Offset Colonial Knob and Guide Surface Bolt	132.24	142.42	152.59
2112C/OS	12.0" Offset Colonial Knob and Guide Surface Bolt	162.60	175.10	187.61
2118C/OS	18.0" Offset Colonial Knob and Guide Surface Bolt	182.10	196.12	210.12
2124C/OS	24.0" Offset Colonial Knob and Guide Surface Bolt	210.28	226.46	242.64

Supplied Standard



2100-US Universal Strike 2100-MS Mortise Strike

Optional Accessories

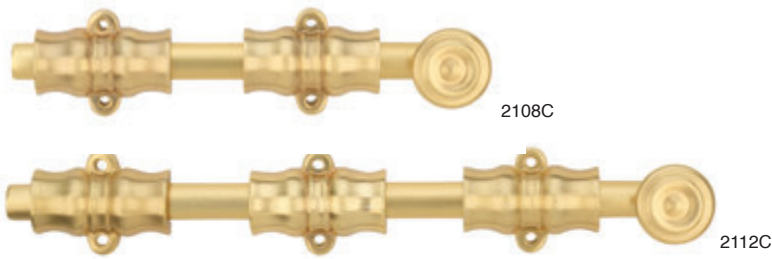


2100-AS Angle Strike

Surface Bolt Accessories

		Standard	Distressed	ETERNA
2100-AS	Optional Angle Strike	20.56	22.15	23.73
2100-US	Universal Strike for use with 21xx 22xx and 27xx	15.42	16.61	17.80
2100-MS	Mortise Strike for use with 21xx and 27xx	15.42	16.61	17.80

Solid Brass Colonial Knob and Guide Surface Bolts



- Solid Brass Bolt with Forged Brass Knob and Guide. Bolt is held firmly against the back of the guide by coil springs and detent balls to prevent scratching and rattling.
- Size: Width of Bolt: 0.625" - Width of Guide: 1.850".
- Diameter of Knob: 1.375".
- One per box with Universal and Mortise Strikes and Screws. Angle Strike available for additional price.
- Custom sizes and offsets available on special order. Call for prices.

Part Number	Length of Bolt	Number of Guides	Packing per Box	Weight per Box
2108C	8"	2	1	1.15 lbs
2112C	12"	3	1	1.50 lbs
2118C	18"	3	1	1.90 lbs
2124C	24"	3	1	2.15 lbs

Offset Solid Brass Colonial Knob and Guide Surface Bolts



- Solid Brass Bolt with Forged Brass Knob and Guide. Bolt is held firmly against the back of the guide by coil springs and detent balls to prevent scratching and rattling.
- Size: Width of Bolt: 0.625" - Width of Guide: 1.625".
- Diameter of Knob: 1.250".
- One per box with Universal and Mortise Strikes and Screws. Angle Strike available for additional price.
- Custom sizes and offsets available on special order. Call for prices.

Part Number	Length of Bolt	Number of Guides	Packing per Box	Weight per Box
2108C/OS	8"	2	1	0.85 lbs
2112C/OS	12"	3	1	1.15 lbs
2118C/OS	18"	3	1	1.50 lbs
2124C/OS	24"	3	1	1.80 lbs



Solid Brass Extension Flush Bolt

		Standard	Distressed	ETERNA
2202	Extension Flush Bolt	68.72	75.33	85.90

All Prices in US Dollars - Prices Subject to Change Without Notice
Please Check with Von Morris Customer Service for Up to Date Pricing.



High Security Residential Flush Bolt

		Standard	Distressed	ETERNA
2203	High Security Residential Extension Flush Bolt	68.72	75.33	85.90

All Prices in US Dollars - Prices Subject to Change Without Notice
Please Check with Von Morris Customer Service for Up to Date Pricing.

Flush Bolt Accessories

		Standard	Distressed	ETERNA
2202-GD	Guide Plate for 2002	18.20	19.60	28.00
2202-MS	Mortise Strike for 2202 and 2203	20.22	21.78	23.34
	Extension Rods	Mill Finish		
2218	18" Extension Rod for use with 2202	17.00 NET		
2224	24" Extension Rod for use with 2202	17.00 NET		
2236	36" Extension Rod for use with 2202	17.00 NET		
2248	48" Extension Rod for use with 2202	24.00 NET		

Solid Brass Extension Flush Bolt



2202
Extension Flush Bolt

- Forged Extension Bolts have a 0.75" throw. Lever engages Bolt at approximately 45 degrees for greater leverage and easier operation. Lever snaps home in both closed and open positions.

- BHMA Designation: L04081
- Government type: 1049

Dimensions:

Length: 6.75"
Width: 1.00"
Bolt: 0.50"
Throw: 0.75"

- Packed two per box in individual poly bags with fasteners and 12" rods standard.
- 1.76 lbs. per box.
- Other length Rods available from stock: 18/24/36/48 inch. See price list for additional cost.

High Security Residential Flush Bolt



2203
High Security
Residential Flush Bolt

- High Security Residential Flush Bolt feature Solid Forged Brass construction. Lever engages Bolt at approximately 45 degrees for greater leverage and easier operation. Lever snaps home in both closed and open positions. The Lever design offers the security of an Extension Flush Bolt with the smaller size and ease of installation of a Residential Flush Bolt.

Dimensions:

Length: 6.00"
Width: 0.75"
Bolt: 0.50"
Throw: 0.75"

- Packed 4 per box in individual poly bags with fasteners.
- 2.48 lbs. per box.



CREMONE, SURFACE AND FLUSH BOLTS

